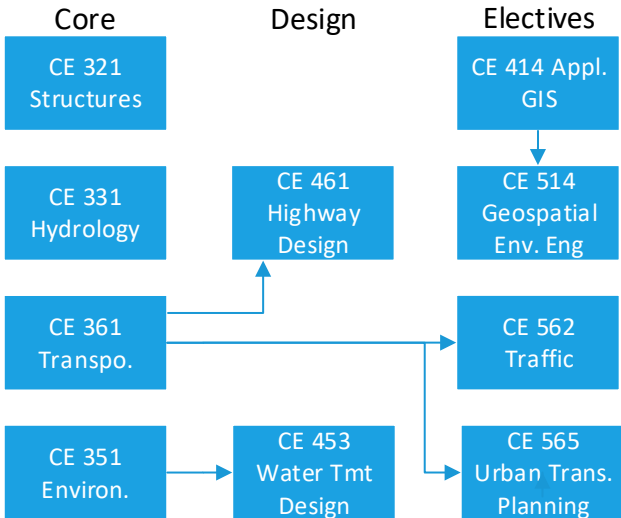


# Transport Systems



Math /  
Sci.

PHYSICS 137  
Energy,  
Climate, Env.

## **Problem:**

Ensure that people in growing urban regions have safe, efficient, and low-carbon mobility, and can access the places they want to go to.